

Figure 2.27 Crystallographic planes are assigned the same Miller index as the crystal face to which they are parallel. (a) A cleavage (shown with thin lines) parallel to the (001) crystal face is identified as a (001) cleavage. (b) The three principal crystallographic planes are parallel to the surfaces of the unit cell and the (100) , (010) , and (001) crystal faces. They therefore have Miller indices of (100) , (010) , and (001) .

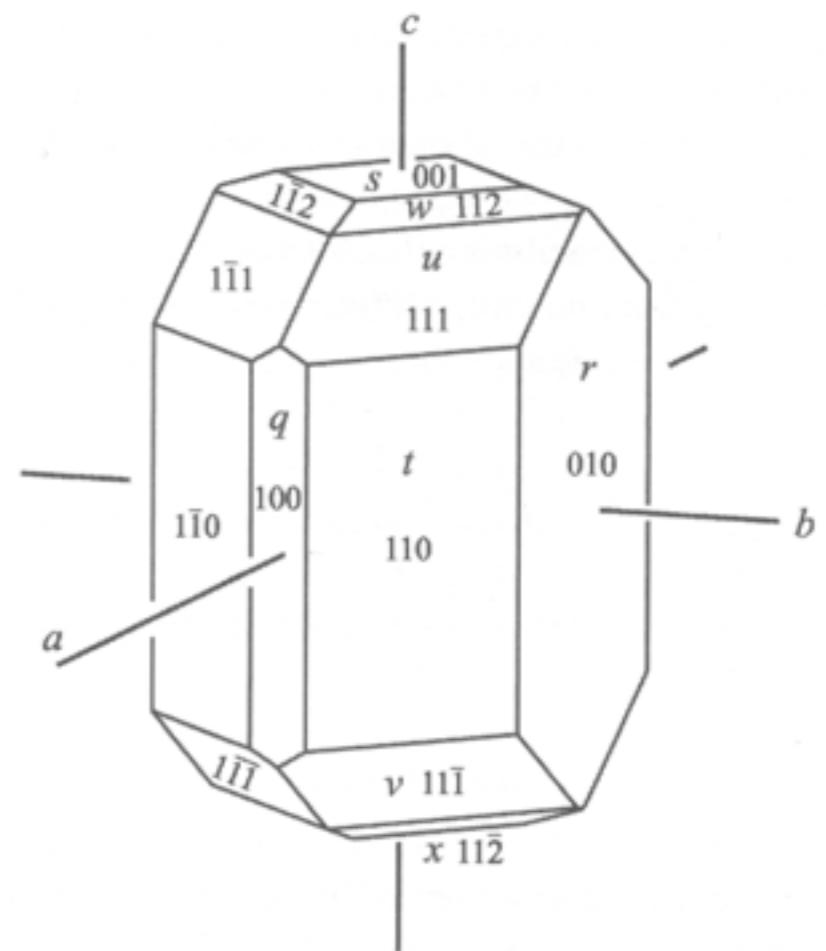


Figure 2.28 Assigning Miller indices by inspection. See text for discussion.